



MODEL: YGY6138-520TB

直流减速电机
DC GEAR MOTOR

圆睿鑫
YUANRUIXIN

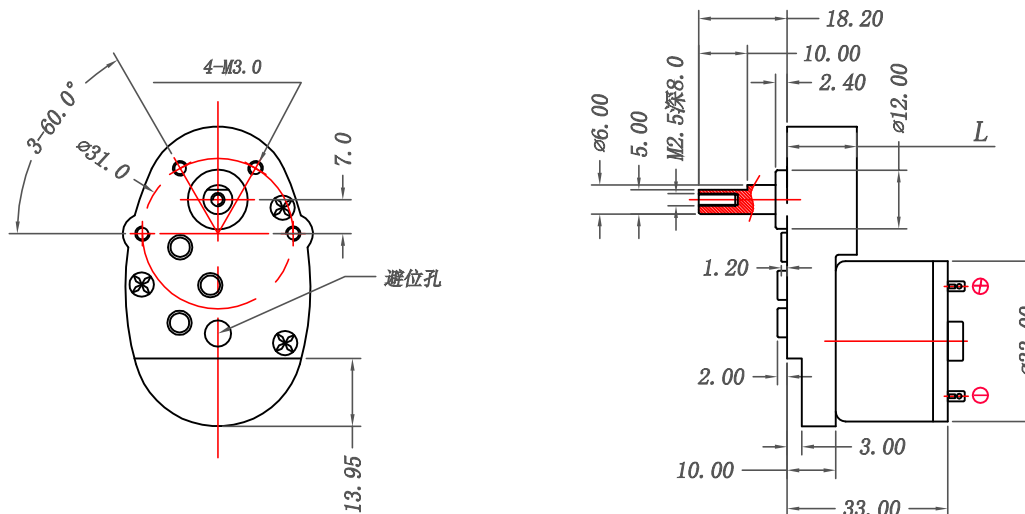
典型应用Typical Applications:

- ※舞台灯饰Stage illumination
- ※自动门锁Automatic door-lock
- ※保险柜Strongbox



齿轮箱长度 L Length of Gear	齿轮比Gear ratio	
14.3	90	104

外形尺寸图Shape dimension figure



Unit: MM

电机参考值The motor reference

型号 MODEL	使用电压 VOLTAGE V	空载 NO LOAD		最大效率点AT MAXIMUM EFFICIENCY				堵转STALL			
		转速 SPEED r/min	电流 CURRENT A	转速 SPEED r/min	电流 CURRENT A	转矩 TORQUE mN.m	功率 OUTPUT W	转矩 TORQUE mN.m	电流 CURRENT A		
						kg.cm		kg.cm			
YGY6138-520TB-90	DC12.0V	61	0.054	48	0.29	245.2	2.5	1.23	1255	12.80	1.5
YGY6138-520TB-104	DC12.0V	30	0.028	22	0.18	176.5	1.8	0.4	853.2	8.7	0.98
YGY6138-520TB-104	DC6.0V	22	0.031	16	0.106	75.5	0.77	0.13	304	3.1	0.38
YGY6138-520TB-104	DC12.0V	43	0.038	35	0.14	114.7	1.17	0.42	603.1	6.15	0.62

备注Note:

*如果以上马达规格参数包括形状尺寸未能符合要求，我们可以根据客户需要研发定做。

*In case the above specification include the shape and size of the motor can't meet requirements, we can develop and make custom one according to customer's requirement.